

Range: I19-024 Kompan Modular

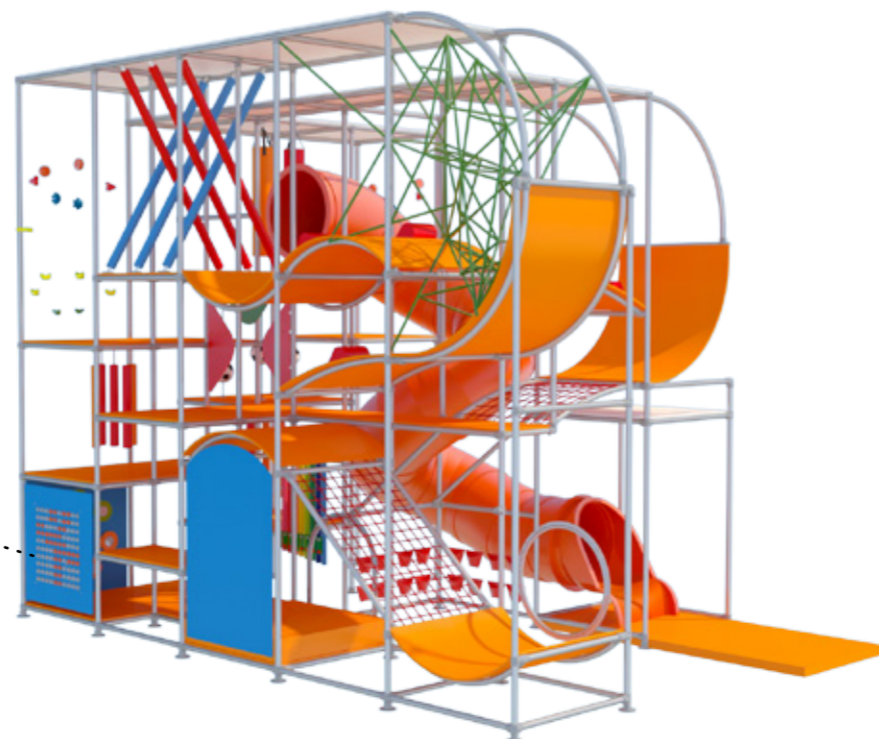
The 3D net structures challenge the children's cross-coordination skills as well as their physical strength

Sliding develops spatial awareness and sense of balance. Furthermore, the core muscles are trained when sitting upright going down.



Nature illustrations - support dramatic play, stimulating language development.

Manipulative panels help encourage cognitive development.



All images used are for illustrative purposes only

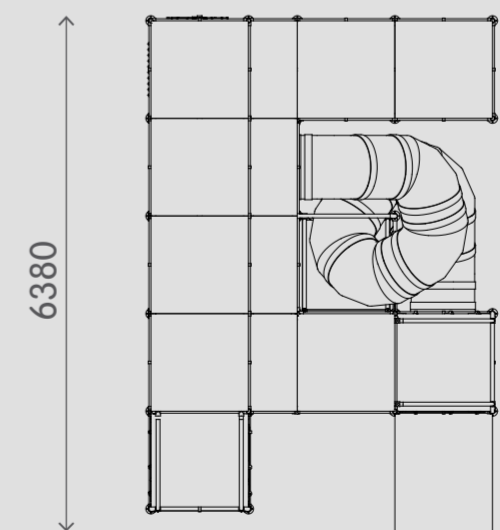
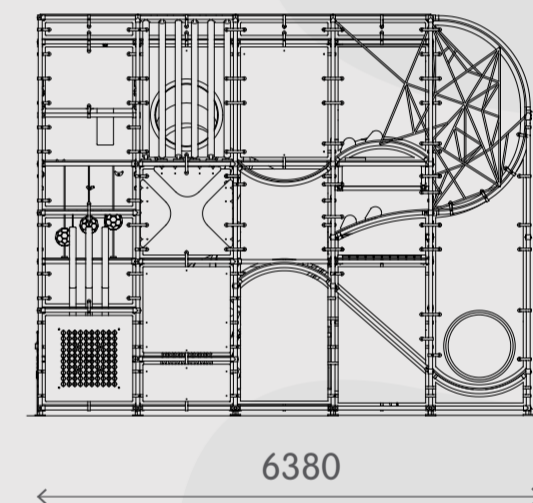
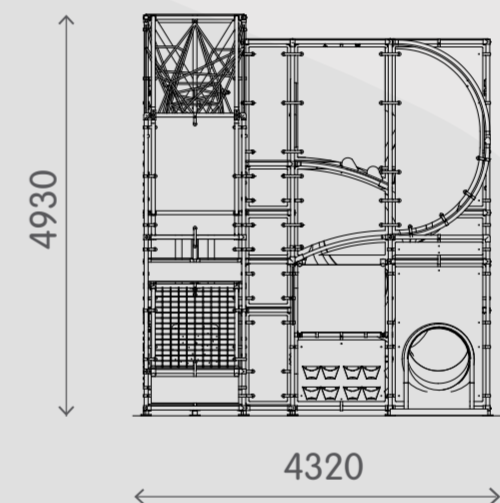
Product information

Activities

- Slide
- Net passage
- Moving sand
- Tear
- Play Panels
- Net slop
- Membrane
- Soccer ball
- Drums

- Xylophone
- Ball wall
- Hanging noodles
- Climbing wall
- Punching ball
- Gourdins
- Wave passage
- 3D netting
- Themed illustrations

Sizes



Age: 3-10

Capacity: 36

By adding freestanding activities you increase the children capacity in the room.

