

Range: I19-077 Kompan Modular

Being above ground levels trains the child's spatial awareness

Nature illustrations - Support dramatic play, stimulating language development



Safety floor for a soft landing.

Sliding develops spatial awareness and sense of balance. Furthermore, the core muscles are trained when sitting upright going down.



All images used are for illustrative purposes only

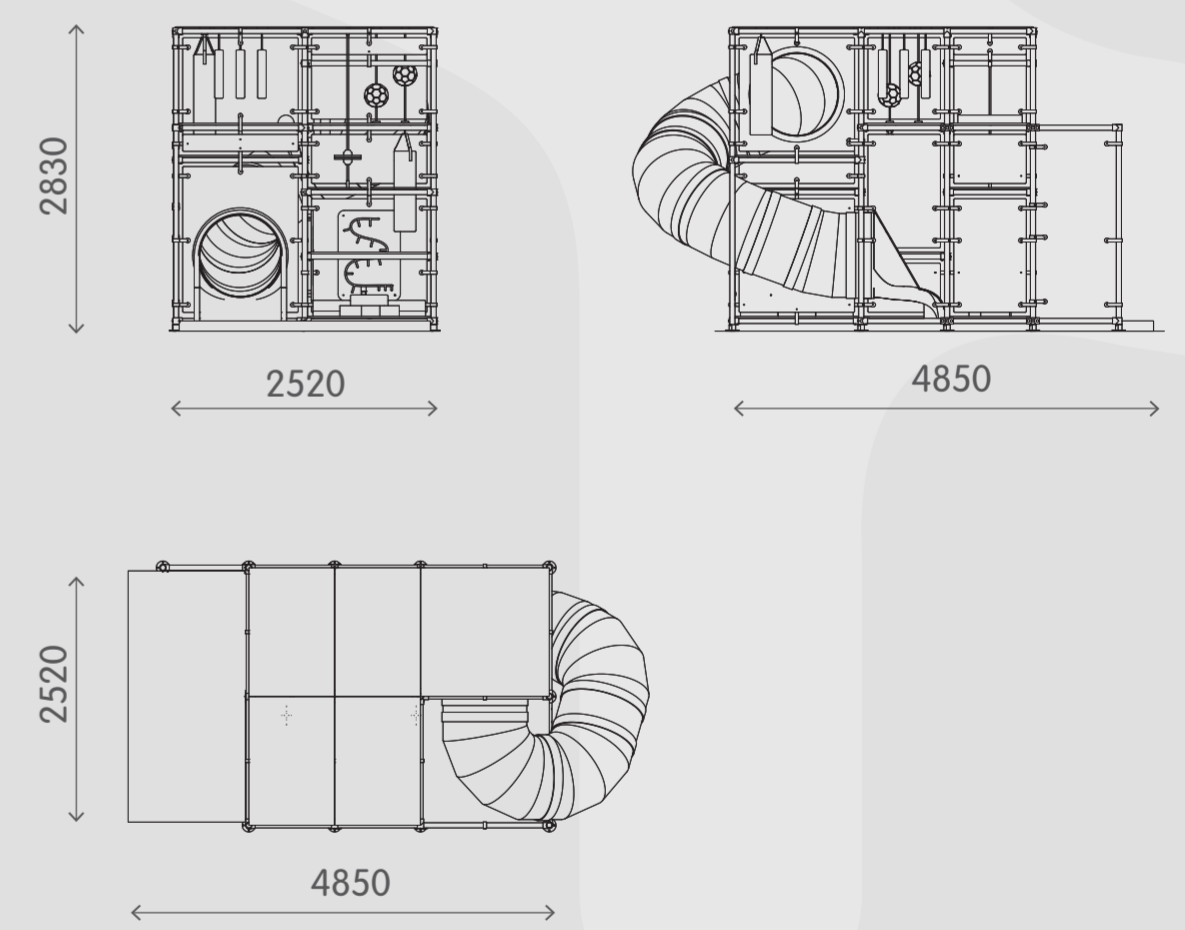
Product information

Activities

- Slide
- Cloud seat
- Floor boxes
- Puching bag
- Hanging noodles
- Moving disk
- Soccer ball
- Collar
- Play panel

- Level changes
- Themed illustrations

Sizes



Age: 3-10

Capacity: 17 Children

By adding freestanding activities you increase the children capacity in the room.

